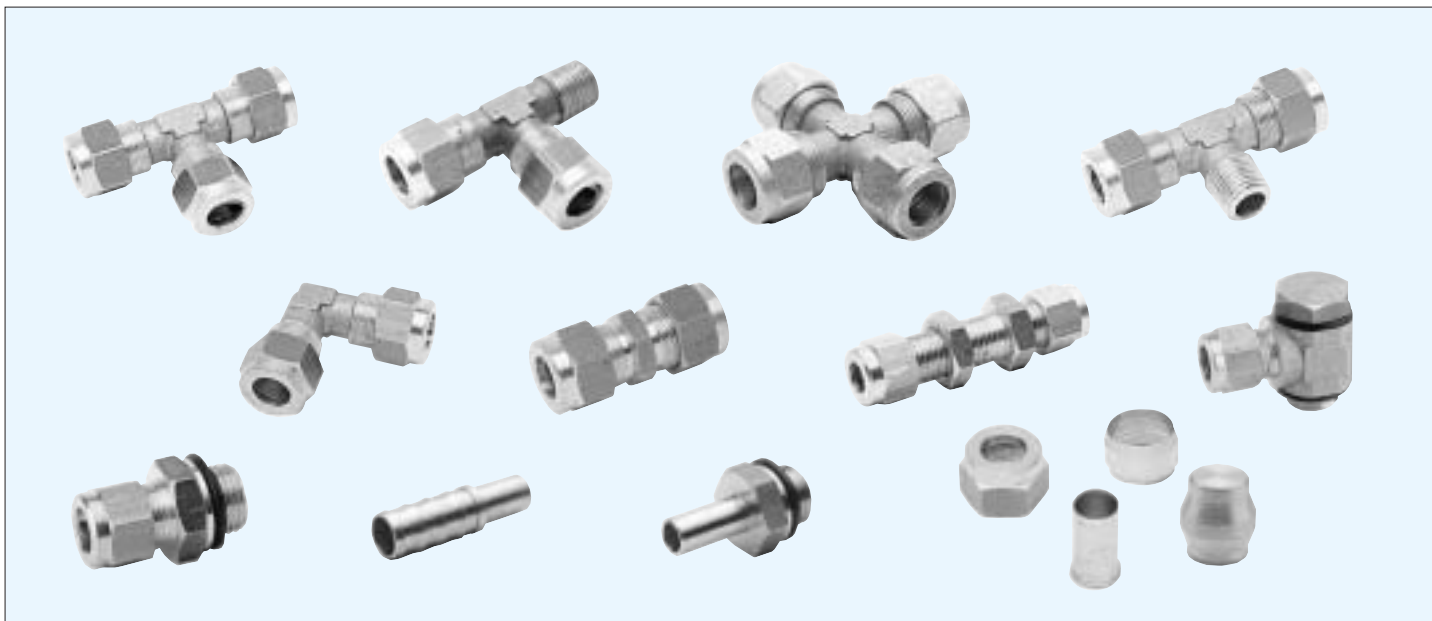


# Šroubení se zářezným prstenem / Fittings with cutting ring

## Řada BU 10000 / BU 10000 Series



### Technické údaje / Technical data:

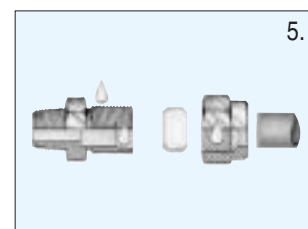
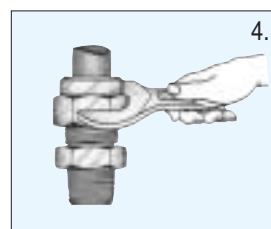
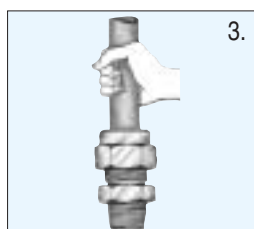
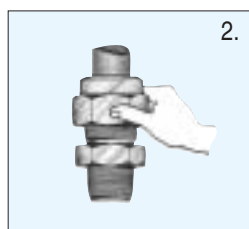
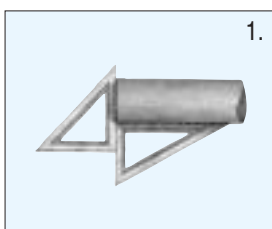
|   |   |                              |
|---|---|------------------------------|
| Rozsah tlaku / Pressure range             | velikost / size   | max. tlak / maximum pressure |
|   | Ø 4   | 14,8 MPa                     |
|   | Ø 6   | 14,8 MPa                     |
|   | Ø 8   | 12,8 MPa                     |
|   | Ø 10  | 17,8 MPa                     |
|   | Ø 12  | 11,3 MPa                     |
|   | Ø 14  | 14,8 MPa                     |
|   | Ø 16  | 7,4 MPa                      |
|   | Ø 18  | 5,9 MPa                      |
|   | Ø 22  | 3,9 MPa                      |
| Pracovní poloha / Working position        | Libovolná / Any   |                              |
| Pracovní médium                           | Tlakový vzduch, vakuum  |                              |
| Working medium                            | Pressure air, vacuum  |                              |
| <b>Použité materiály / Material used:</b> |   |                              |
| Těleso / body                             | Mosaz niklovaná / brass nickel-plated   |                              |
| Zářezný kroužek / cutting ring            | Mosaz / brass   |                              |
| Maticе / nut                              | Mosaz niklovaná / brass nickel-plated   |                              |
| Doporučené hadice                         | Měděné trubky / cooper pipes  |                              |
| Hoses suggested                           | Plastové hadičky pod označením PE, PA, PU, PTFE<br>Plastic hoses indicated PE, PA, PU, PTFE |                              |
| Vnější průměr                             | 4, 6, 8, 10, 12, 14, 16, 18, 22 mm  |                              |
| External diameter                         |   |                              |

### Montáž:

1. Zařiznutí trubičky pod úhlem 90° a odhrotování trubky.
2. Lehce namazat maticí, prsten a závit tělesa. Nasunout matici a prsten na trubičku.
3. Matici našroubovat rukou.
4. Trubičku úplně zasunout do tělesa.
5. Matici úplně dotáhnout.

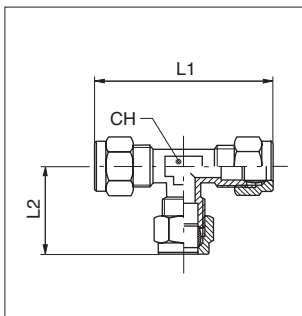
### Assembly:

1. Cut the tube at 90° and remove internal and external burrs.
2. Lightly oil the tube nut, ring and thread of body. Slide the nut and ring onto the tube.
3. Screw the nut onto the fitting by hand.
4. Ensure the tube is pushed fully home into the fitting.
5. Tighten the nut.



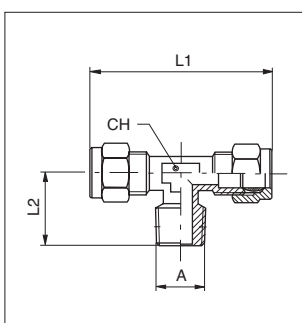
# Šroubení se zářezným prstenem / Fittings with cutting ring

## Řada BU 10000 / BU 10000 Series



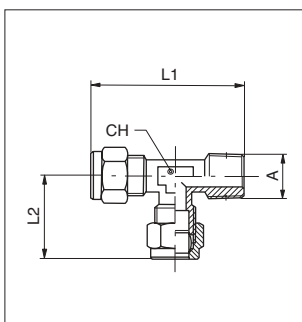
### T šroubení / Tee connector

| Typ / Objednací č.<br>Type / Order No. | Hadička<br>Hose | L <sub>1</sub> | L <sub>2</sub> | CH |
|--|-----------------|----------------|----------------|----|
| BU 10200-4N                            | 4               | 42             | 21             | 8  |
| BU 10200-6N                            | 6               | 50             | 25             | 9  |
| BU 10200-8N                            | 8               | 53             | 26,5           | 12 |
| BU 10200-10N                           | 11              | 62             | 31             | 13 |
| BU 10200-12N                           | 12              | 67             | 33,5           | 14 |
| BU 10200-14N                           | 14              | 72             | 36             | 18 |
| BU 10200-15N                           | 15              | 80             | 40             | 18 |
| BU 10200-16N                           | 16              | 80             | 40             | 17 |
| BU 10200-18N                           | 18              | 83             | 41,5           | 20 |
| BU 10200-22N                           | 22              | 86             | 43             | 27 |



### T šroubení s kuželovým závitem / Tee male adaptor centre leg

| Typ / Objednací č.<br>Type / Order No. | Hadička<br>Hose | A   | L <sub>1</sub> | L <sub>2</sub> | CH |
|--|-----------------|-----|----------------|----------------|----|
| BU 10220 G184N                         | 4               | 1/8 | 42             | 15             | 8  |
| BU 10220 G186N                         | 6               | 1/8 | 49             | 16,5           | 9  |
| BU 10220 G146N                         | 6               | 1/4 | 49             | 20,5           | 9  |
| BU 10220 G188N                         | 8               | 1/8 | 53             | 16,5           | 12 |
| BU 10220 G148N                         | 8               | 1/4 | 53             | 20,5           | 12 |
| BU 10220 G388N                         | 8               | 3/8 | 57             | 23             | 13 |
| BU 10220 G1410N                        | 10              | 1/4 | 63             | 22,5           | 13 |
| BU 10220 G3810N                        | 10              | 3/8 | 62             | 23,5           | 13 |
| BU 10220 G1210N                        | 10              | 1/2 | 64             | 27             | 14 |
| BU 10220 G1412N                        | 12              | 1/4 | 66             | 24,5           | 14 |
| BU 10220 G3812N                        | 12              | 3/8 | 66             | 25             | 14 |
| BU 10220 G1212N                        | 12              | 1/2 | 67             | 26,5           | 14 |
| BU 10220 G3814N                        | 14              | 3/8 | 75             | 26             | 16 |
| BU 10220 G1214N                        | 14              | 1/2 | 78             | 31             | 18 |
| BU 10220 G1215N                        | 15              | 1/2 | 80             | 31             | 18 |
| BU 10220 G1216N                        | 16              | 1/2 | 79             | 29             | 17 |
| BU 10220 G1218N                        | 18              | 1/2 | 92             | 29,5           | 20 |
| BU 10220 G3418N                        | 18              | 3/4 | 93             | 32,5           | 20 |
| BU 10220 G3422SN                       | 22              | 3/4 | 86             | 34             | 27 |

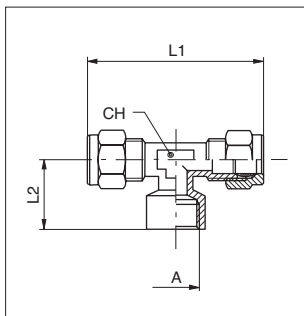


### T šroubení s kuželovým závitem / Tee male adaptor off set leg

| Typ / Objednací č.<br>Type / Order No. | Hadička<br>Hose | A   | L <sub>1</sub> | L <sub>2</sub> | CH |
|--|-----------------|-----|----------------|----------------|----|
| BU 10230 G184N                         | 4               | 1/8 | 35             | 21             | 8  |
| BU 10230 G186N                         | 6               | 1/8 | 43             | 24             | 9  |
| BU 10230 G146N                         | 6               | 1/4 | 45             | 25             | 9  |
| BU 10230 G188N                         | 8               | 1/8 | 45             | 26             | 12 |
| BU 10230 G148N                         | 8               | 1/4 | 46             | 26             | 12 |
| BU 10230 G388N                         | 8               | 3/8 | 49             | 26             | 13 |
| BU 10230 G1410N                        | 10              | 1/4 | 55             | 31             | 13 |
| BU 10230 G3810N                        | 10              | 3/8 | 56             | 31             | 13 |
| BU 10230 G3812N                        | 12              | 3/8 | 58             | 33             | 14 |
| BU 10230 G1212N                        | 12              | 1/2 | 59             | 34             | 15 |
| BU 10230 G1214N                        | 14              | 1/2 | 67             | 39             | 18 |

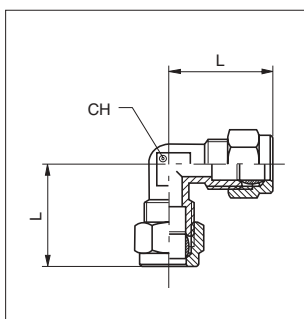
# Šroubení se zářezným prstenem / Fittings with cutting ring

## Řada BU 10000 / BU 10000 Series



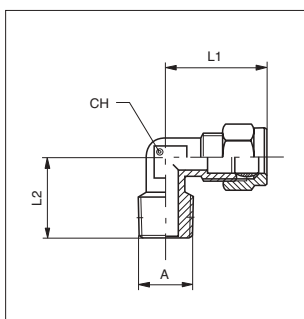
### T šroubení s vnitřním závitem / Tee female centre leg

| Typ / Objednací č.<br>Type / Order No. | Hadička<br>Hose | A   | L <sub>1</sub> | L <sub>2</sub> | CH |
|--|-----------------|-----|----------------|----------------|----|
| BU 10240 G184N                         | 4               | 1/8 | 42             | 18             | 8  |
| BU 10240 G186N                         | 6               | 1/8 | 51             | 19,5           | 9  |
| BU 10240 G146N                         | 6               | 1/4 | 53             | 24,5           | 13 |
| BU 10240 G188N                         | 8               | 1/8 | 55             | 19,5           | 12 |
| BU 10240 G148N                         | 8               | 1/4 | 56             | 24,5           | 13 |
| BU 10240 G1410N                        | 10              | 1/4 | 63             | 24,5           | 13 |
| BU 10240 G3810N                        | 10              | 3/8 | 65             | 26             | 14 |
| BU 10240 G1210N                        | 10              | 1/2 | 65             | 26             | 15 |
| BU 10240 G1412N                        | 12              | 1/4 | 66             | 25,5           | 14 |
| BU 10240 G3812N                        | 12              | 3/8 | 66             | 26             | 14 |
| BU 10240 G1212N                        | 12              | 1/2 | 66             | 26             | 15 |
| BU 10240 G1214N                        | 14              | 1/2 | 78             | 30             | 18 |
| BU 10240 G1215N                        | 15              | 1/2 | 80             | 30             | 18 |
| BU 10240 G1216N                        | 16              | 1/2 | 80             | 28,5           | 17 |
| BU 10240 G1218N                        | 18              | 1/2 | 92             | 28             | 20 |
| BU 10240 G3418N                        | 18              | 3/4 | 85             | 34             | 20 |



### L šroubení / Elbow connector

| Typ / Objednací č.<br>Type / Order No. | Hadička<br>Hose | L  | CH |
|--|-----------------|----|----|
| BU 10260-4N                            | 4               | 21 | 8  |
| BU 10260-6N                            | 6               | 25 | 9  |
| BU 10260-8N                            | 8               | 28 | 11 |
| BU 10260-10N                           | 10              | 32 | 13 |
| BU 10260-12N                           | 12              | 33 | 14 |
| BU 10260-14N                           | 14              | 39 | 17 |
| BU 10260-15N                           | 15              | 40 | 17 |
| BU 10260-16N                           | 16              | 41 | 17 |
| BU 10260-18N                           | 18              | 40 | 20 |
| BU 10260-22N                           | 22              | 43 | 27 |

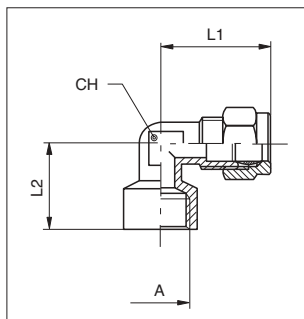


### L šroubení s kuželovým závitem / Elbow male adaptor

| Typ / Objednací č.<br>Type / Order No. | Hadička<br>Hose | A   | L <sub>1</sub> | L <sub>2</sub> | CH |
|--|-----------------|-----|----------------|----------------|----|
| BU 10280 G184N                         | 4               | 1/8 | 20             | 15             | 8  |
| BU 10280 G186N                         | 6               | 1/8 | 25,5           | 17             | 9  |
| BU 10280 G146N                         | 6               | 1/4 | 24             | 19             | 9  |
| BU 10280 G188N                         | 8               | 1/8 | 27             | 18             | 11 |
| BU 10280 G148N                         | 8               | 1/4 | 28             | 21,5           | 11 |
| BU 10280 G388N                         | 8               | 3/8 | 32             | 24             | 13 |
| BU 10280 G1410N                        | 10              | 1/4 | 33             | 23,5           | 13 |
| BU 10280 G3810N                        | 10              | 3/8 | 33             | 24,5           | 13 |
| BU 10280 G1210N                        | 10              | 1/2 | 33             | 25             | 14 |
| BU 10280 G1412N                        | 12              | 1/4 | 35             | 24             | 14 |
| BU 10280 G3812N                        | 12              | 3/8 | 33             | 26             | 14 |
| BU 10280 G1212N                        | 12              | 1/2 | 34             | 25             | 14 |
| BU 10280 G3814N                        | 14              | 3/8 | 38             | 26             | 17 |
| BU 10280 G1214N                        | 14              | 1/2 | 38             | 28,5           | 17 |
| BU 10280 G1215N                        | 15              | 1/2 | 39             | 28,5           | 17 |
| BU 10280 G1216N                        | 16              | 1/2 | 40             | 28             | 17 |
| BU 10280 G1218N                        | 18              | 1/2 | 42             | 29,5           | 20 |
| BU 10280 G3418N                        | 18              | 3/4 | 42             | 32             | 20 |
| BU 10280 G3422N                        | 22              | 3/4 | 43             | 34             | 27 |

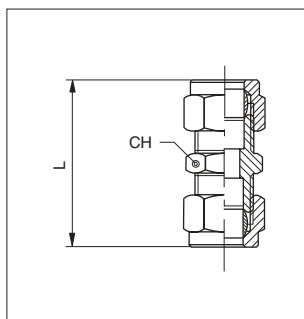
# Šroubení se zářezným prstenem / Fittings with cutting ring

## Řada BU 10000 / BU 10000 Series



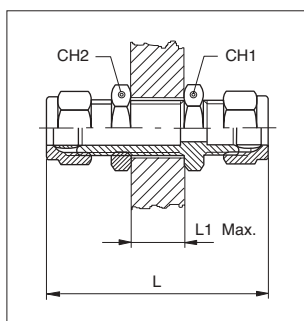
### L šroubení s vnitřním závitem / Elbow female adaptor

| Typ / Objednací č.<br>Type / Order No. | Hadička<br>Hose | A   | L <sub>1</sub> | L <sub>2</sub> | CH |
|--|-----------------|-----|----------------|----------------|----|
| BU 10290 G184N                         | 4               | 1/8 | 22             | 18             | 8  |
| BU 10290 G186N                         | 6               | 1/8 | 24             | 18             | 9  |
| BU 10290 G146N                         | 6               | 1/4 | 26             | 22,5           | 11 |
| BU 10290 G188N                         | 8               | 1/8 | 27             | 21             | 11 |
| BU 10290 G148N                         | 8               | 1/4 | 28             | 25,5           | 13 |
| BU 10290 G388N                         | 8               | 3/8 | 30             | 25             | 14 |
| BU 10290 G1410N                        | 10              | 1/4 | 34             | 25             | 13 |
| BU 10290 G3810N                        | 10              | 3/8 | 33             | 25             | 14 |
| BU 10290 G1210N                        | 10              | 1/2 | 33             | 27             | 15 |
| BU 10290 G1412N                        | 12              | 1/4 | 34             | 26             | 14 |
| BU 10290 G3812N                        | 12              | 3/8 | 33             | 26             | 14 |
| BU 10290 G1212N                        | 12              | 1/2 | 33             | 27             | 15 |
| BU 10290 G1214N                        | 14              | 1/2 | 39             | 30             | 18 |
| BU 10290 G1215N                        | 15              | 1/2 | 39             | 30             | 18 |
| BU 10290 G1216N                        | 16              | 1/2 | 40             | 30             | 18 |
| BU 10290 G1218N                        | 18              | 1/2 | 44             | 29             | 20 |
| BU 10290 G3418N                        | 18              | 3/4 | 41             | 33,5           | 20 |



### Přímá spojka / Straight connector

| Typ / Objednací č.<br>Type / Order No. | Hadička<br>Hose | L  | CH |
|--|-----------------|----|----|
| BU 10460-4N                            | 4               | 32 | 10 |
| BU 10460-6N                            | 6               | 34 | 11 |
| BU 10460-8N                            | 8               | 35 | 13 |
| BU 10460-10N                           | 10              | 43 | 16 |
| BU 10460-12N                           | 12              | 43 | 18 |
| BU 10460-14N                           | 14              | 46 | 21 |
| BU 10460-15N                           | 15              | 52 | 21 |
| BU 10460-16N                           | 16              | 52 | 22 |
| BU 10460-18N                           | 18              | 54 | 26 |
| BU 10460-22N                           | 22              | 55 | 30 |

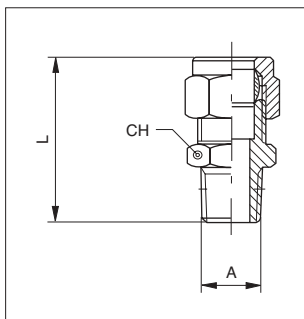


### Přepážková spojka / Bulkhead connector

| Typ / Objednací č.<br>Type / Order No. | Hadička<br>Hose | L  | L <sub>1max</sub> | CH <sub>1</sub> | CH <sub>2</sub> |
|--|-----------------|----|-------------------|-----------------|-----------------|
| BU 10465-4N                            | 4               | 48 | 15                | 10              | 13              |
| BU 10465-6N                            | 6               | 48 | 15                | 13              | 14              |
| BU 10465-8N                            | 8               | 53 | 15                | 14              | 17              |
| BU 10465-10N                           | 10              | 59 | 16                | 19              | 22              |
| BU 10465-12N                           | 12              | 68 | 20                | 22              | 22              |
| BU 10465-14N                           | 14              | 72 | 20                | 24              | 24              |

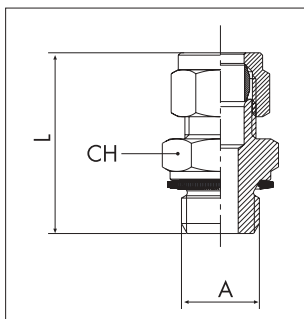
# Šroubení se zářezným prstenem / Fittings with cutting ring

## Řada BU 10000 / BU 10000 Series



### Přímé šroubení s kuželovým závitem / Straight male adaptor (taper)

| Typ / Objednací č.<br>Type / Order No. | Hadička<br>Hose | A   | L    | CH |
|--|-----------------|-----|------|----|
| BU 10480 G184N                         | 4               | 1/8 | 25   | 11 |
| BU 10480 G144N                         | 4               | 1/4 | 27   | 14 |
| BU 10480 G186N                         | 6               | 1/8 | 26,5 | 11 |
| BU 10480 G146N                         | 6               | 1/4 | 28,5 | 14 |
| BU 10480 G386N                         | 6               | 3/8 | 29   | 17 |
| BU 10480 G188N                         | 8               | 1/8 | 28,5 | 13 |
| BU 10480 G148N                         | 8               | 1/4 | 30,5 | 14 |
| BU 10480 G388N                         | 8               | 3/8 | 31   | 17 |
| BU 10480 G1410N                        | 10              | 1/4 | 35   | 16 |
| BU 10480 G3810N                        | 10              | 3/8 | 33,5 | 17 |
| BU 10480 G1210N                        | 10              | 1/2 | 33,5 | 21 |
| BU 10480 G1412N                        | 12              | 1/4 | 35   | 18 |
| BU 10480 G3812N                        | 12              | 3/8 | 35   | 18 |
| BU 10480 G1212N                        | 12              | 1/2 | 35   | 21 |
| BU 10480 G3814N                        | 14              | 3/8 | 35   | 20 |
| BU 10480 G1214N                        | 14              | 1/2 | 35   | 21 |
| BU 10480 G1215N                        | 15              | 1/2 | 37   | 21 |
| BU 10480 G1216N                        | 16              | 1/2 | 38   | 22 |
| BU 10480 G3416N                        | 16              | 3/4 | 42,5 | 27 |
| BU 10480 G1218N                        | 18              | 1/2 | 40   | 24 |
| BU 10480 G3418N                        | 18              | 3/4 | 43   | 27 |
| BU 10480 G1222N                        | 22              | 1/2 | 44   | 30 |
| BU 10480 G3422N                        | 22              | 3/4 | 45,5 | 30 |

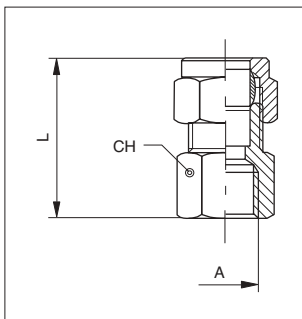


### Přímé šroubení s palcovým závitem / Straight male adaptor (parallel)

| Typ / Objednací č.<br>Type / Order No. | Hadička<br>Hose | A   | L    | CH |
|--|-----------------|-----|------|----|
| BU 10485 G184N                         | 4               | 1/8 | 25,5 | 13 |
| BU 10485 G186N                         | 6               | 1/8 | 27,5 | 13 |
| BU 10485 G146N                         | 6               | 1/4 | 31   | 17 |
| BU 10485 G188N                         | 8               | 1/8 | 29   | 13 |
| BU 10485 G148N                         | 8               | 1/4 | 31,5 | 17 |
| BU 10485 G388N                         | 8               | 3/8 | 35,5 | 22 |
| BU 10485 G1410N                        | 10              | 1/4 | 35   | 17 |
| BU 10485 G3810N                        | 10              | 3/8 | 39   | 22 |
| BU 10485 G3814N                        | 14              | 3/8 | 39   | 22 |
| BU 10485 G1214N                        | 14              | 1/2 | 41   | 27 |
| BU 10485 G3422N                        | 22              | 3/4 | 48   | 32 |
| BU 10485 G122N                         | 22              | 1   | 50,5 | 40 |

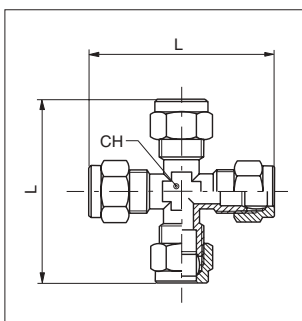
# Šroubení se zářezným prstenem / Fittings with cutting ring

## Řada BU 10000 / BU 10000 Series



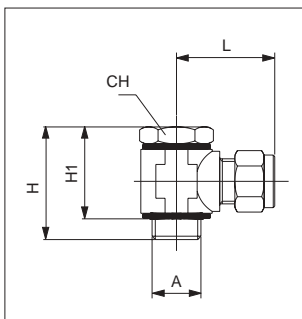
### Přímé šroubení s vnitřním závitem / Straight female adaptor

| Typ / Objednací č.<br>Type / Order No. | Hadička<br>Hose | A   | L  | CH |
|--|-----------------|-----|----|----|
| BU 10500 G184N                         | 4               | 1/8 | 24 | 14 |
| BU 10500 G144N                         | 4               | 1/4 | 27 | 17 |
| BU 10500 G186N                         | 6               | 1/8 | 26 | 14 |
| BU 10500 G146N                         | 6               | 1/4 | 28 | 17 |
| BU 10500 G188N                         | 8               | 1/8 | 30 | 14 |
| BU 10500 G148N                         | 8               | 1/4 | 28 | 17 |
| BU 10500 G388N                         | 8               | 3/8 | 29 | 20 |
| BU 10500 G1410N                        | 10              | 1/4 | 32 | 17 |
| BU 10500 G3810N                        | 10              | 3/8 | 32 | 20 |
| BU 10500 G1210N                        | 10              | 1/2 | 31 | 24 |
| BU 10500 G1412N                        | 12              | 1/4 | 33 | 18 |
| BU 10500 G3812N                        | 12              | 3/8 | 32 | 20 |
| BU 10500 G1212N                        | 12              | 1/2 | 32 | 24 |
| BU 10500 G3814N                        | 14              | 3/8 | 36 | 20 |
| BU 10500 G1214N                        | 14              | 1/2 | 34 | 24 |
| BU 10500 G1215N                        | 15              | 1/2 | 34 | 24 |
| BU 10500 G1216N                        | 16              | 1/2 | 38 | 24 |
| BU 10500 G3416N                        | 16              | 3/4 | 40 | 30 |
| BU 10500 G1218N                        | 18              | 1/2 | 36 | 24 |
| BU 10500 G3418N                        | 18              | 3/4 | 41 | 30 |
| BU 10500 G3422N                        | 22              | 3/4 | 40 | 30 |



### Křížové šroubení / Equal cross

| Typ / Objednací č.<br>Type / Order No. | Hadička<br>Hose | L  | CH |
|--|-----------------|----|----|
| BU 10510-4N                            | 4               | 45 | 8  |
| BU 10510-6N                            | 6               | 48 | 9  |
| BU 10510-8N                            | 8               | 62 | 11 |
| BU 10510-10N                           | 10              | 64 | 13 |
| BU 10510-12N                           | 12              | 70 | 17 |
| BU 10510-14N                           | 14              | 79 | 17 |

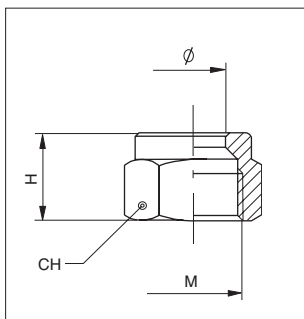


### Šroubení úhlové / Single bjo body with stem

| Typ / Objednací č.<br>Type / Order No. | Hadička<br>Hose | A   | L    | H  | H <sub>1</sub> | CH |
|--|-----------------|-----|------|----|----------------|----|
| BU 10550 G184N                         | 4               | 1/8 | 22,5 | 31 | 23             | 14 |
| BU 10550 G186N                         | 6               | 1/8 | 24   | 31 | 23             | 14 |
| BU 10550 G146N                         | 6               | 1/4 | 27   | 32 | 23,5           | 17 |
| BU 10550 G188N                         | 8               | 1/8 | 27,5 | 31 | 23             | 14 |
| BU 10550 G148N                         | 8               | 1/4 | 27,5 | 32 | 23,5           | 17 |
| BU 10550 G388N                         | 8               | 3/8 | 29   | 36 | 26,5           | 19 |
| BU 10550 G1410N                        | 10              | 1/4 | 32,5 | 32 | 23,5           | 17 |
| BU 10550 G3810N                        | 10              | 3/8 | 32,5 | 36 | 26,5           | 19 |
| BU 10550 G1414N                        | 14              | 1/4 | 36   | 44 | 36,5           | 17 |
| BU 10550 G3814N                        | 14              | 3/8 | 36   | 46 | 37             | 22 |
| BU 10550 G1214N                        | 14              | 1/2 | 36   | 49 | 38             | 24 |
| BU 10550 G3422N                        | 22              | 3/4 | 45,5 | 64 | 52             | 32 |

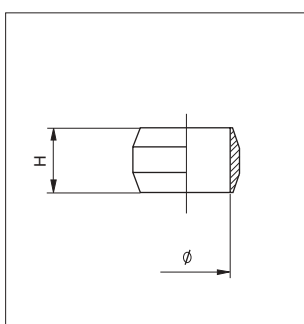
# Šroubení se zářezným prstenem / Fittings with cutting ring

## Řada BU 10000 / BU 10000 Series



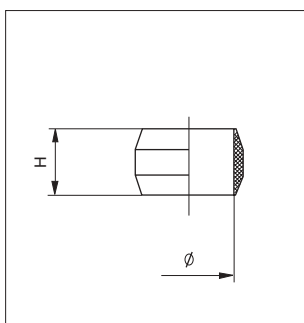
### Převlečná matice / Nut

| Typ / Objednací č.<br>Type / Order No. | Hadička<br>Hose | H    | CH | M       |
|--|-----------------|------|----|---------|
| BU 10680-4N                            | 4               | 9,5  | 10 | M8x1    |
| BU 10680-6N                            | 6               | 10,5 | 12 | M10x1   |
| BU 10680-8N                            | 8               | 11,5 | 14 | M12x1   |
| BU 10680-10N                           | 10              | 13,5 | 19 | M16x1,5 |
| BU 10680-12N                           | 12              | 13,5 | 21 | M18x1,5 |
| BU 10680-14N                           | 14              | 14,5 | 23 | M20x1,5 |
| BU 10680-15N                           | 15              | 16   | 23 | M20x1,5 |
| BU 10680-16N                           | 16              | 17   | 25 | M22x1,5 |
| BU 10680-18N                           | 18              | 18   | 28 | M24x1,5 |
| BU 10680-22N                           | 22              | 18   | 34 | M30x1,5 |



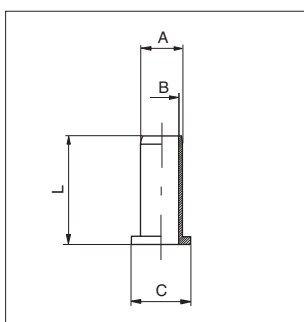
### Zářezný prstýnek mosaz / Brass olive

| Typ / Objednací č.<br>Type / Order No. | Hadička<br>Hose | H   |
|--|-----------------|-----|
| BU 10740-4MS                           | 4               | 5,5 |
| BU 10740-6MS                           | 6               | 6,5 |
| BU 10740-8MS                           | 8               | 6,5 |
| BU 10740-10MS                          | 10              | 7,5 |
| BU 10740-12MS                          | 12              | 8   |
| BU 10740-14MS                          | 14              | 8,5 |
| BU 10740-15MS                          | 15              | 9   |
| BU 10740-16MS                          | 16              | 9,5 |
| BU 10740-18MS                          | 18              | 10  |
| BU 10740-22MS                          | 22              | 10  |



### Zářezný prstýnek teflon / PTFE olive

| Typ / Objednací č.<br>Type / Order No. | Hadička<br>Hose | H   |
|--|-----------------|-----|
| BU 10760-4PTFE                         | 4               | 5,5 |
| BU 10760-6PTFE                         | 6               | 6,5 |
| BU 10760-8PTFE                         | 8               | 6,5 |
| BU 10760-10PTFE                        | 10              | 7,5 |
| BU 10760-12PTFE                        | 12              | 8   |
| BU 10760-14PTFE                        | 14              | 8,5 |
| BU 10760-15PTFE                        | 15              | 9   |
| BU 10760-16PTFE                        | 16              | 9,5 |
| BU 10760-18PTFE                        | 18              | 10  |
| BU 10760-22PTFE                        | 22              | 10  |

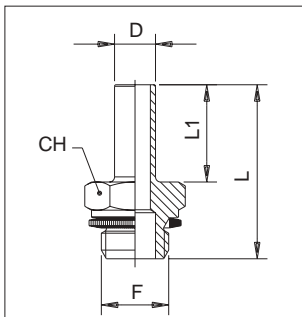


### Vsuvka do plastové hadičky / Internal support bush

| Typ / Objednací č.<br>Type / Order No. | Hadička<br>Hose | A    | B    | C    | L    |
|--|-----------------|------|------|------|------|
| BU 10770-4/2,7                         | 4/2,7           | 2,7  | 1,5  | 3,8  | 13   |
| BU 10770-6/4MS                         | 6/4             | 4    | 3    | 5    | 13   |
| BU 10770-8/6MS                         | 8/6             | 6    | 5    | 7    | 16,5 |
| BU 10770-10/8MS                        | 10/8            | 8    | 7    | 9    | 17   |
| BU 10770-12/9MS                        | 12/9            | 9    | 8    | 11   | 19   |
| BU 10770-12/10MS                       | 12/10           | 10   | 9    | 11   | 19   |
| BU 10770-14/12MS                       | 14/12           | 12   | 11   | 13,5 | 21   |
| BU 10770-15/12,5MS                     | 15/12,5         | 12,5 | 11,5 | 14   | 21   |
| BU 10770-16/13MS                       | 16/13           | 13   | 12   | 15   | 22   |
| BU 10770-18/15MS                       | 18/15           | 15   | 14   | 17,5 | 23   |
| BU 10770-18/16MS                       | 18/16           | 16   | 15   | 17,5 | 23   |
| BU 10770-22/18MS                       | 22/18           | 18   | 16,5 | 19   | 25   |

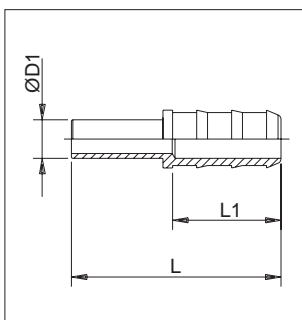
# Šroubení se zářezným prstenem / Fittings with cutting ring

## Řada BU 10000 / BU 10000 Series



### Přechodka na závit / Orienting male adaptor parallel

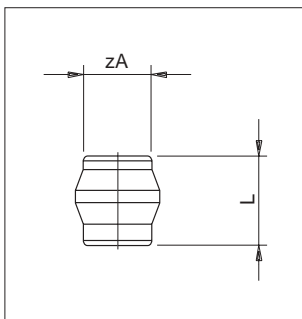
| Typ / Objednací č.<br>Type / Order No. | Hadička<br>Hose | A   | L    | L <sub>1</sub> | CH |
|--|-----------------|-----|------|----------------|----|
| BU 13530 G186MS                        | 6               | 1/8 | 27,5 | 16             | 13 |
| BU 13530 G146MS                        | 6               | 1/4 | 31   | 16             | 17 |
| BU 13530 G188MS                        | 8               | 1/8 | 31,5 | 19             | 13 |
| BU 13530 G148MS                        | 8               | 1/4 | 34   | 19             | 17 |
| BU 13530 G388MS                        | 8               | 3/8 | 38   | 19             | 22 |
| BU 13530 G1410MS                       | 10              | 1/4 | 35   | 20             | 17 |
| BU 13530 G3810MS                       | 10              | 3/8 | 39   | 20             | 22 |
| BU 13530 G3814MS                       | 14              | 3/8 | 40   | 21             | 22 |
| BU 13530 G1214MS                       | 14              | 1/2 | 42   | 21             | 27 |



### Přechodka na hadicové hrdlo

#### Sleeve hose adapter for caoutchouc tubes

| Typ / Objednací č.<br>Type / Order No. | D <sub>1</sub> | D <sub>2</sub> | L <sub>1</sub> | L    |
|--|----------------|----------------|----------------|------|
| BU 13540-67MS                          | 6              | 7              | 22,5           | 40,5 |
| BU 13540-87MS                          | 8              | 7              | 22,5           | 43,5 |
| BU 13540-810MS                         | 8              | 10             | 22,5           | 43,5 |
| BU 13540-107MS                         | 10             | 7              | 22,5           | 44,5 |
| BU 13540-1010MS                        | 10             | 10             | 22,5           | 44,5 |
| BU 13540-1210MS                        | 12             | 10             | 22,5           | 45   |
| BU 13540-1213MS                        | 12             | 13             | 29,5           | 52   |
| BU 13540-1413MS                        | 14             | 13             | 29,5           | 52,5 |



### Záslepka / Plug for universal fittings

| Typ / Objednací č.<br>Type / Order No. | Hadička<br>Hose | L    |
|--|-----------------|------|
| BU 13780-4MS                           | 4               | 10   |
| BU 13780-6MS                           | 6               | 10,5 |
| BU 13780-8MS                           | 8               | 10,5 |
| BU 13780-10MS                          | 10              | 11,5 |
| BU 13780-12MS                          | 12              | 12   |
| BU 13780-14MS                          | 14              | 14   |
| BU 13780-15MS                          | 15              | 14   |
| BU 13780-16MS                          | 16              | 14   |
| BU 13780-18MS                          | 18              | 16   |
| BU 13780-22MS                          | 22              | 15   |